

Welcome

This document contains information for installing the Datacard Card Printer driver on 64-bit Windows® 7 and Windows Vista® operating systems. This document contains the following installation information:

- Release Notes
- USB Installation
- Network Installation

For alternate installation methods including wireless print server, unidirectional, printer pooling, and open card options, download the Installation Guide from the datacard.com web site.

Release Notes

Card Printer Driver, Version 10.0

Supported Printers

This Driver supports the following card printers:

- SP25 and SP25 Plus
- SP35 and SP35 Plus
- SP55 and SP55 Plus
- SP55k
- SP60
- SP75 and SP75 Plus

Supported Operating Systems

This driver supports the following 64-bit operating systems:

- Windows 7
- Windows Vista®, with Service Pack 2
- Windows® 2008 Server, with Service Pack 2

Obtaining Information

The most current driver is available from the Downloads area of the Datacard web site at www.datacard.com or contact your service provider.

Known Issues

The following features are different from previous driver versions:

Color Adjustment

The YMC intensity setting is available from the Printer Toolbox. Click the Advanced Setup button on the Status tab, and then click the Printhead tab.

Print and Topcoat Blocking

Select No Blocking, No Topcoat, Mag Stripe – 2 Tracks, Mag Stripe – 3 Tracks, Smartcard, or Mag Stripe – NTT only. User Defined Bitmap choices for Print, Topcoat, and Both are not supported in this driver release.

PC to Printer Security Option

The PC to Printer Security Option is not available for use with this driver version.

Obsolete Drivers

This driver is for use with Windows 64-bit operating systems only and does not obsolete any released drivers.

Notices

Warning: This computer program is protected by copyright law and international treaties. Unauthorized reproduction or distribution of this program, or any portion of it, may result in severe civil and criminal penalties, and will be prosecuted to the maximum extent possible under the law.

All proprietary information embodied in this software is the property of DataCard Corporation. All unauthorized use or reproduction is prohibited.

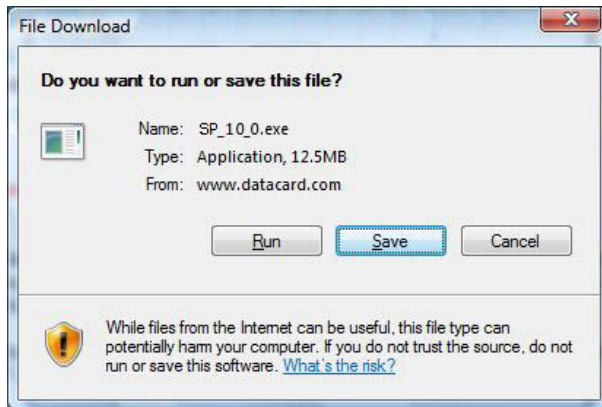
Microsoft, Windows, and Windows Vista are registered trademarks of Microsoft Corporation.
Datacard is a registered trademark of DataCard Corporation.

All other trademarks are the property of their respective owners.

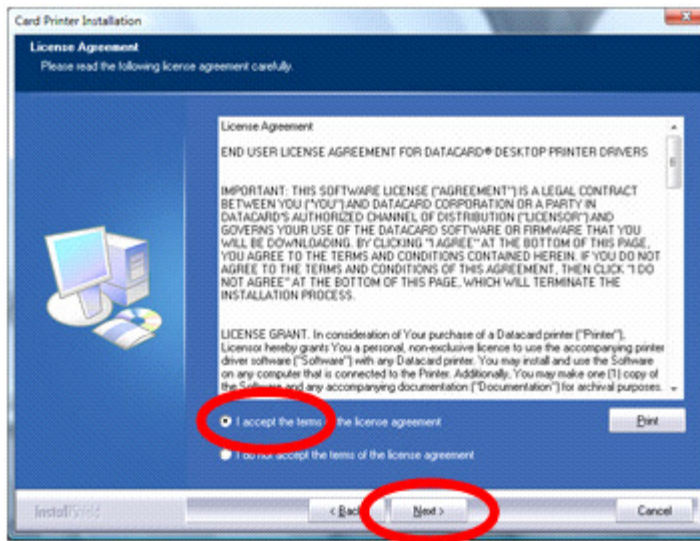
Install the Driver Using a USB Connection

IMPORTANT! Do not connect the printer to the PC until instructed!

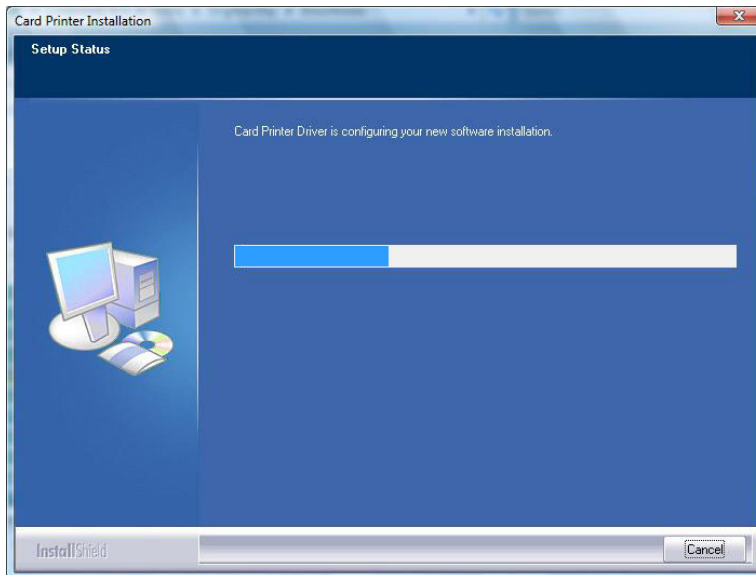
1. Log on to the PC as a user with Administrator access. (Right click on the Computer icon and select Properties to verify that the System type is 64-bit.)
2. Download the card printer driver from the datacard.com Web site. The driver will have a file name similar to SP_Series_10_0.exe.
3. Scroll to the bottom of the page and click I Agree on the license agreement.
4. Choose Save from the File Download dialog box to download the file to a local folder on the PC.



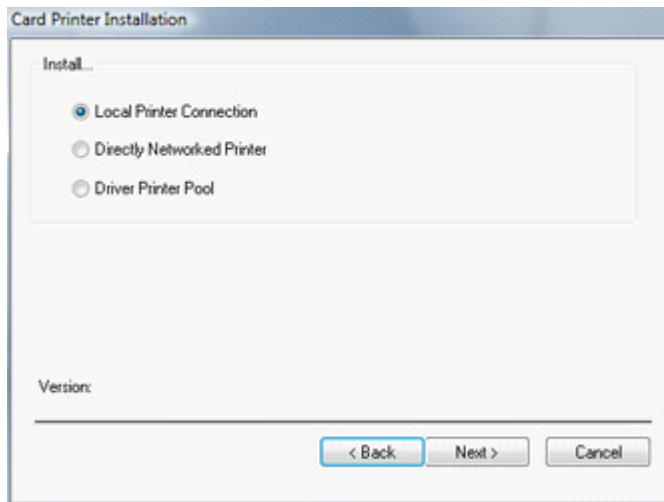
5. Use Windows Explorer to locate the file saved in Step 4.
6. Double-click the downloaded file to start the card printer installation. Click Yes on the User Account Control dialog box if it appears. The Card Printer Installation dialog box appears.
7. Click on the "I accept the terms of the license agreement" button and then click Next.



8. The installation begins.

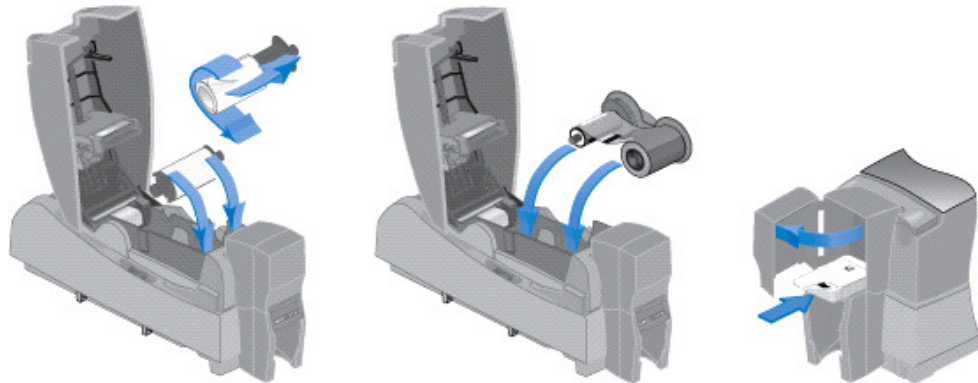


10. Select "Local Printer Connection" and click Next.

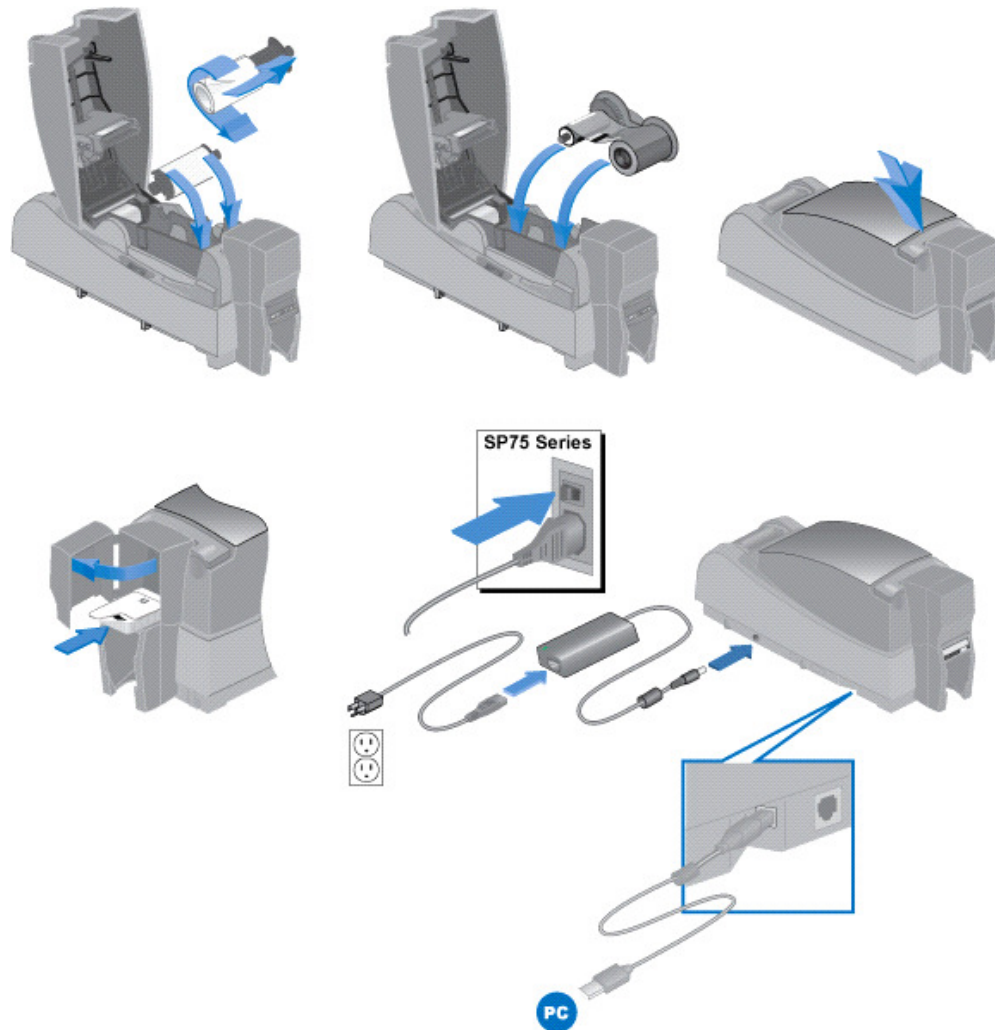


11. Follow the instructions on the next dialog box:

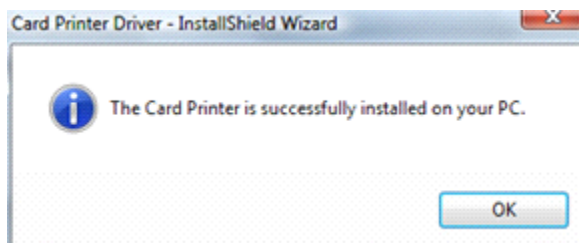
- a. Install supplies in the printer.



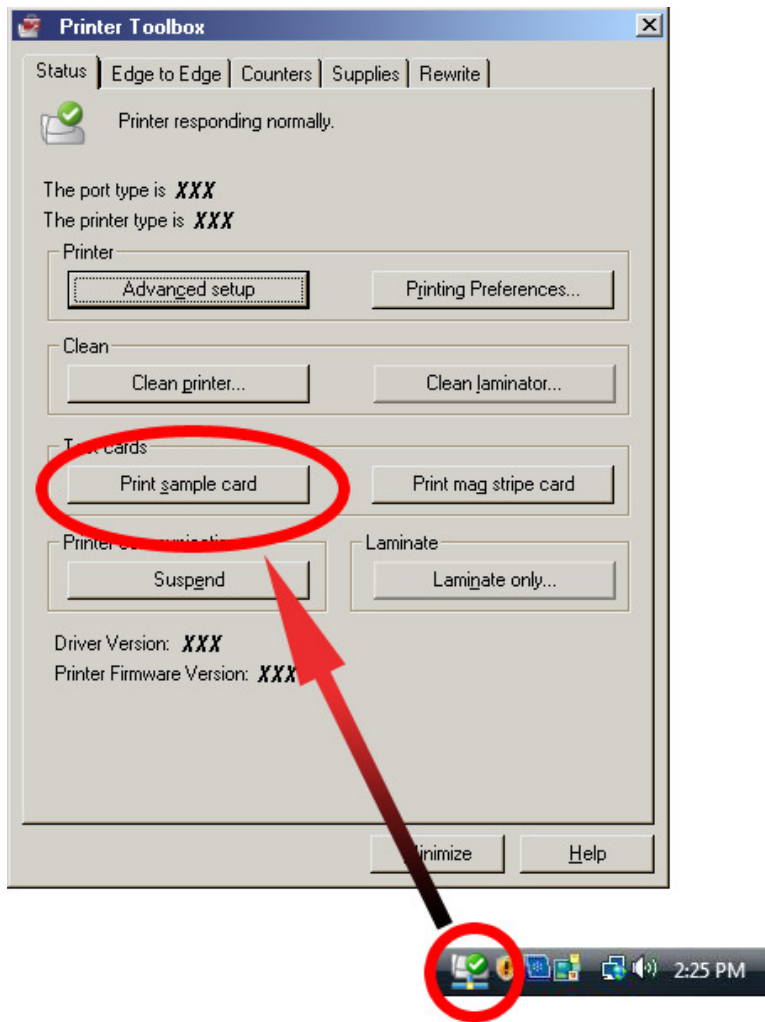
- b. Power on the printer and wait for one minute (steady green light on printer).



- c. Connect the printer to the PC.
 - d. The PC detects the printer. **Wait** for installation to complete.
12. When the installation is complete, click OK on the success message on the PC.



13. An icon for the printer appears on the right side of the toolbar. Double-click the icon to open the Printer Toolbox.



14. Click the Print Sample Card button to print a sample card from the driver.

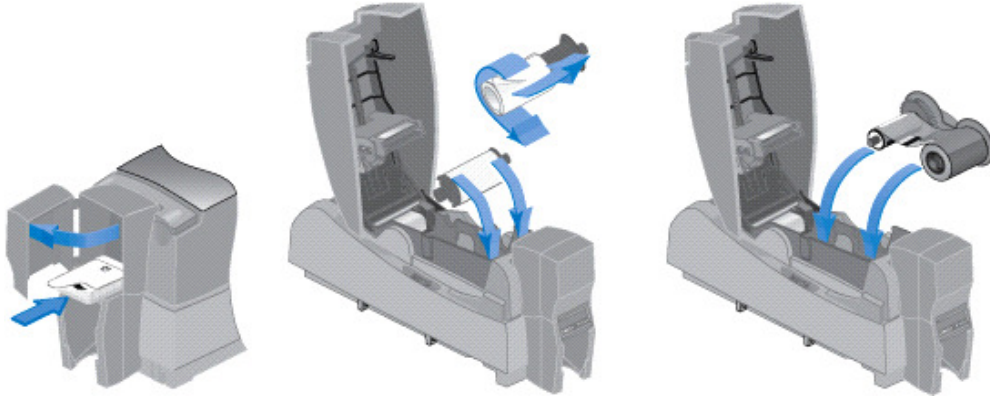
Installation is complete!

To view information about the printer, choose Start> All Programs> Datacard Card Printers> InfoCentral.

Install a Network Printer Using the Built-In Ethernet Connection

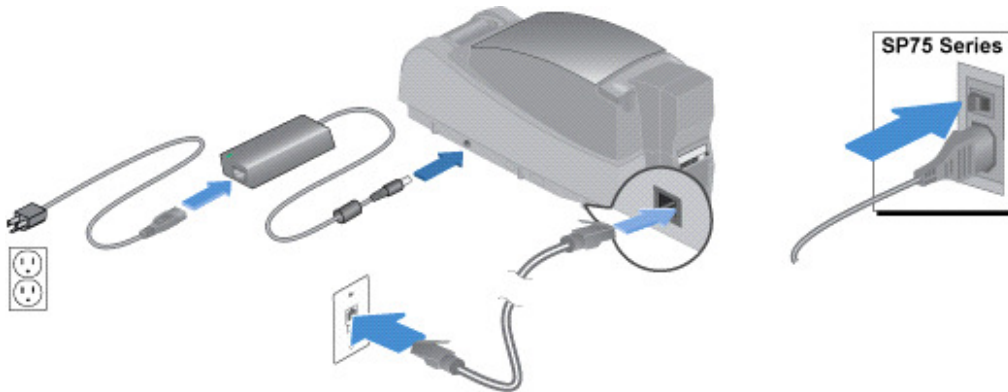
1. Load all printer supplies:

- Load blank card stock, cleaning sleeve, and print ribbon.

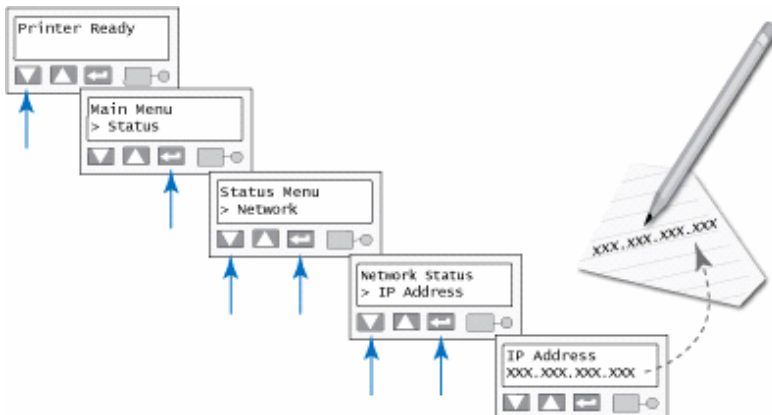


- Load laminator supply material, if equipped.

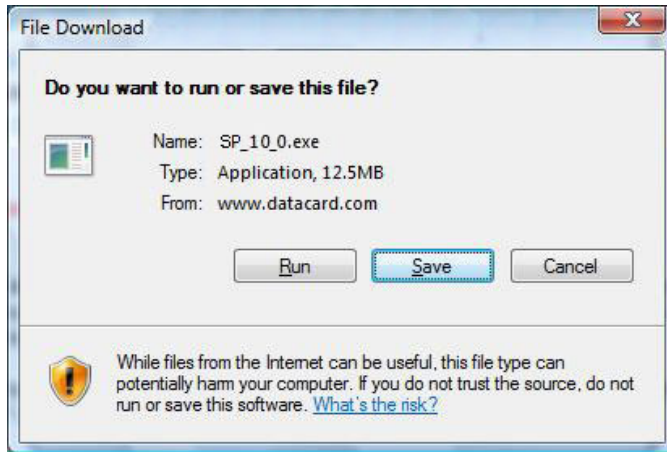
2. Plug in and power on the printer.



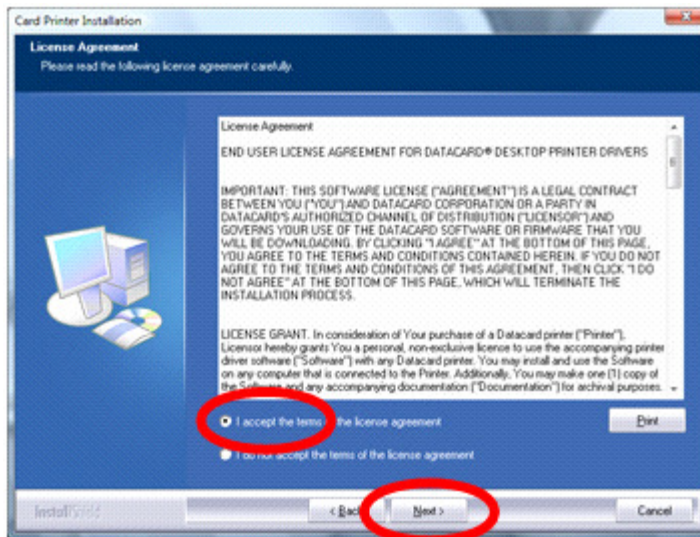
3. Use the LCD panel to retrieve the IP address of the printer or ask your network administrator for the print server name. Record the address or server name for later use.



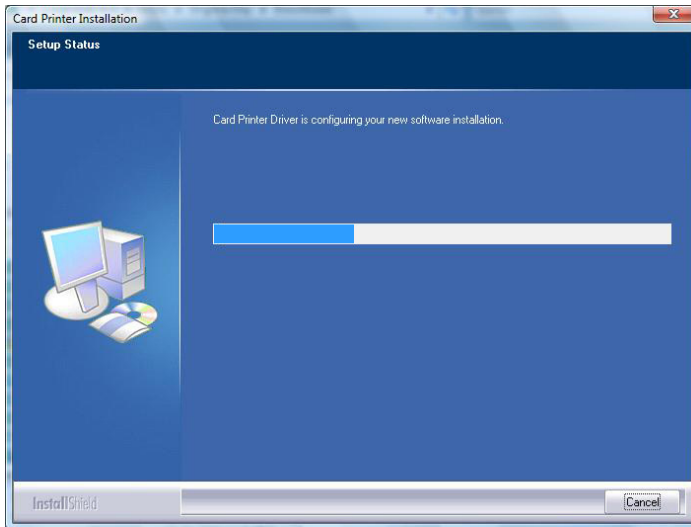
- Log on to the PC as a user with Administrator access. (Right click on the Computer icon and select Properties to verify that the System type is 64-bit.)
- Download the card printer driver from the datacard.com Web site. The driver will have a file name similar to SP_Series_10_0.exe.
- Scroll to the bottom of the page and click I Agree on the license agreement.
- Choose Save from the File Download dialog box to download the file to a local folder on the PC.



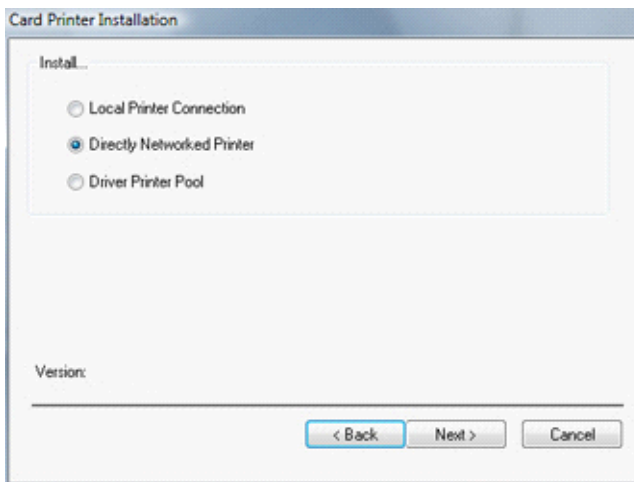
- Use Windows Explorer to locate the file saved in Step 7.
- Double-click the downloaded file to start the card printer installation. Click Yes on the User Account Control dialog box if it appears. The Card Printer Installation dialog box appears.
- Click the "I accept the terms of the license agreement" button and then click Next.



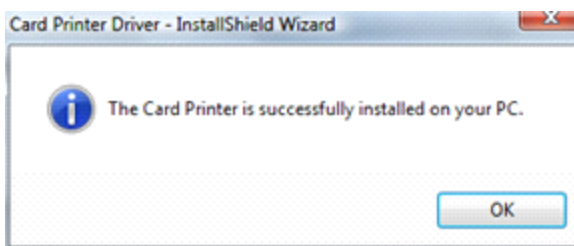
- The installation begins.



12. Select "Directly Networked Printer" and click Next.

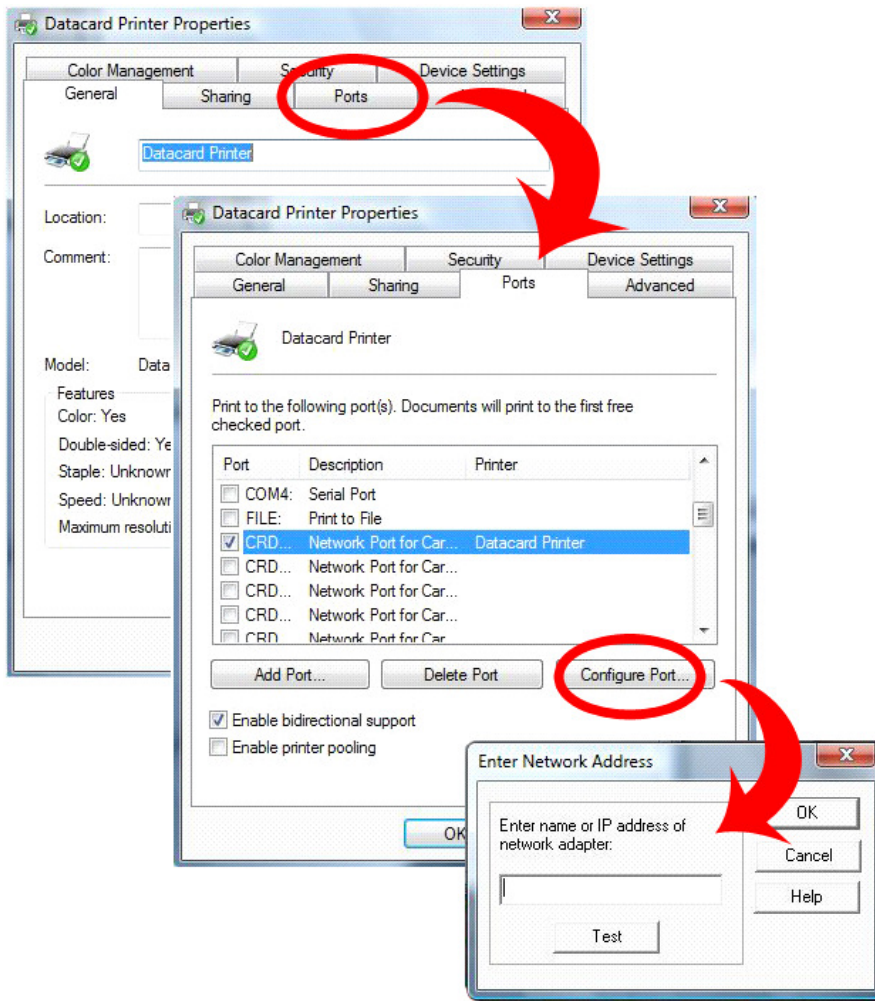


14. **Wait** for the installation to complete and the PC to display a message. Click OK.



15. When the installation is finished, the Properties dialog box opens.
16. Choose the Ports tab, click once on the port for the printer, and then click the Configure Port button.
17. Click once on the Enter Network Address dialog box to activate it.
18. Enter the IP address of the printer or print server (retrieved in Step 3) in the Enter Network Address dialog box.

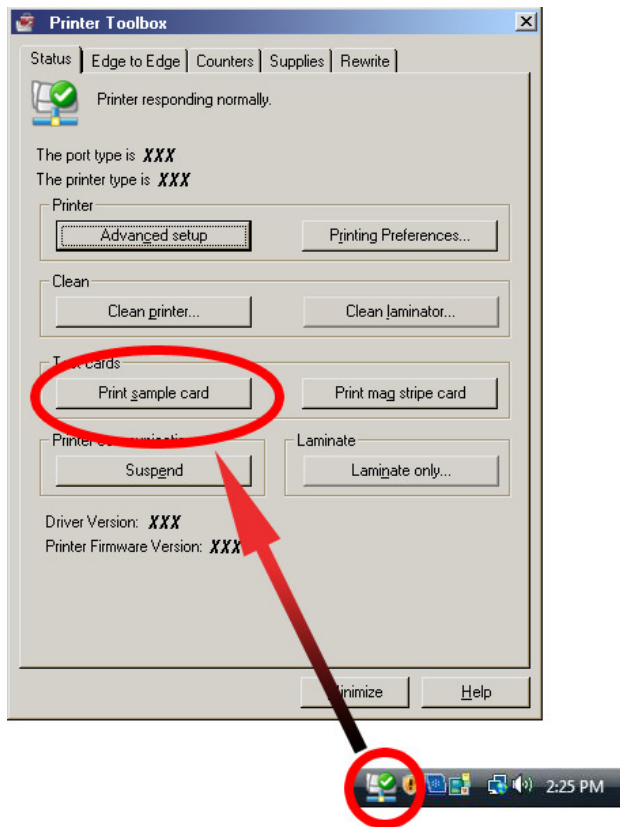
Note: The Enter Network Address dialog box looks different on the Windows 7 operating system.



19. **Click the Test button.** Wait to see the Success message and click OK to close the message. Click OK to close the Enter Network Address dialog box.

A message appears, "A printer has been identified... DR-00921." Wait for this message to clear on its own.

20. An icon for the printer appears on the right side of the toolbar. Double-click the icon to open the Printer Toolbox.
21. Click the Print Sample Card button to print a sample card from the driver.



Installation is complete!

To view information about the printer, choose Start> All Programs> Datacard Card Printers> InfoCentral.